

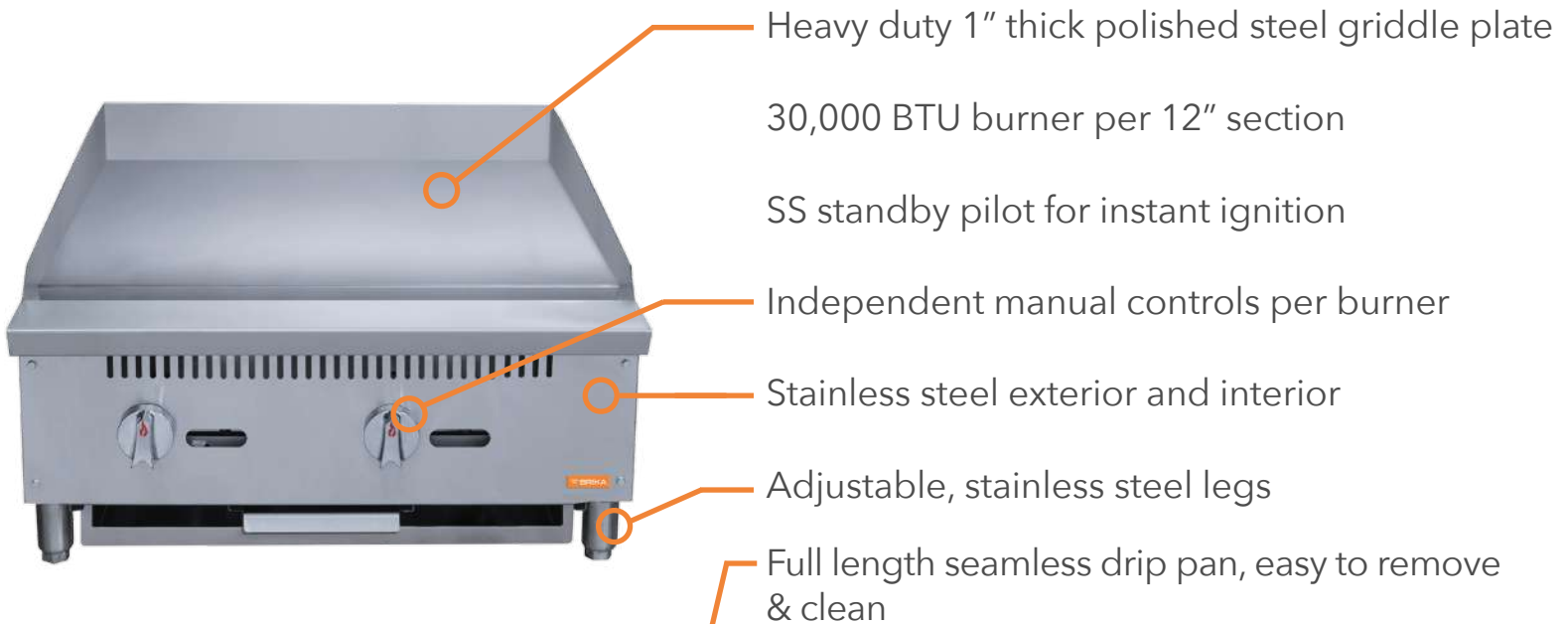


# BRIKA

## BMG-24

ROBUST DESIGN  
HIGH QUALITY STAINLESS STEEL

# MANUAL GRIDDLE 24 INCHES



**Dimensions (wxdxh)** 24" x 33<sup>1/2</sup>" x 15<sup>3/8</sup>"

**Cooking Area (wxd)** 24" x 24"

**Burners** 2 x 30,000 BTU/H (total 60K)

# BMG-24

## DELIVERY

Box dimensions (w×d×h)

26<sup>1/8"</sup> × 36<sup>1/4"</sup> × 20<sup>1/2"</sup>

Weight

net: 132 lbs

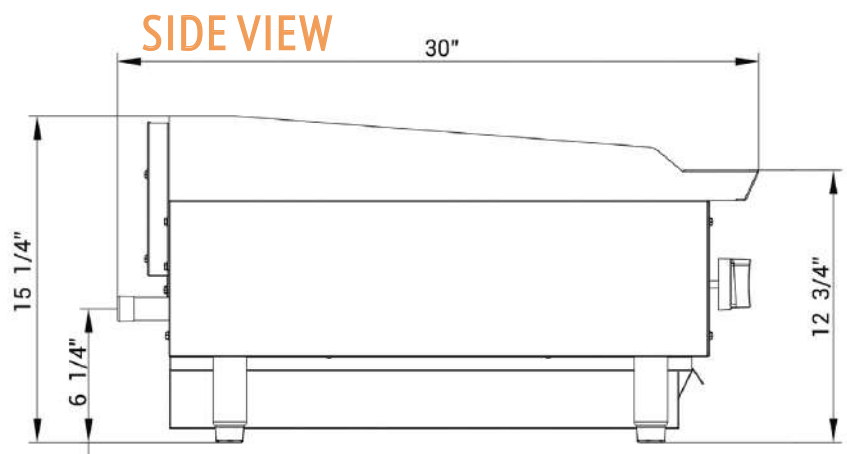
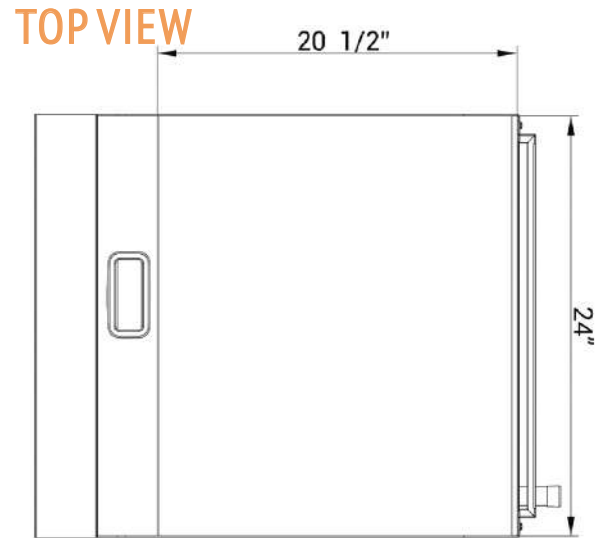
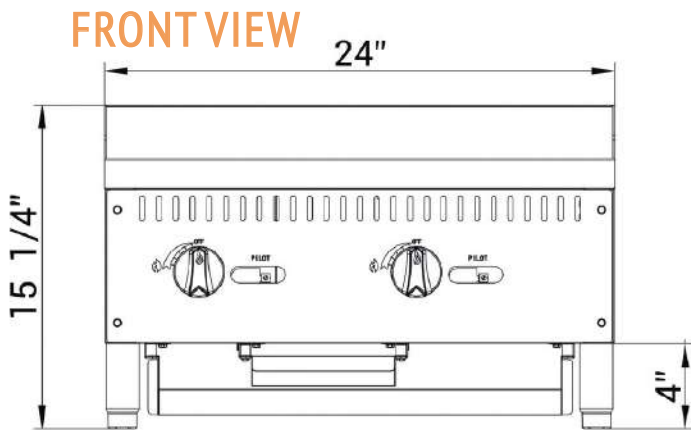
ship: 154 lbs

## GAS POWERED

|         |                 |         |
|---------|-----------------|---------|
| Natural | <b>Source</b>   | Propane |
| 4"WC    | <b>Pressure</b> | 10"WC   |
| 34#     | <b>Nozzle</b>   | 49#     |

3/4" NPT **Connection** 3/4" NPT

if to be used above 2000 ft, specify altitude and gas type when ordering



ASSEMBLY/SUPPORT



MORE PRODUCTS



## SAFETY

Keep combustibles a minimum of 17" away from the equipment. Keep a clearance of 4" at the rear.

 We're on social media! 

1.800.567.3620 | WWW.BRIKA.COM