



KITCHEN EQUIPMENT

SERVING THE FOOD INDUSTRY SINCE 1951

SPIRAL MIXER WITH FIXED BOWL

Items: 45417, 45418, 47417, 47418



47417/47418



45417



45418



WARRANTY
PARTS AND LABOR



For 45417 & 47417

NEMA
5 - 15R
125 VAC / 15 AMP
RECEPTACLE



For 45418 & 47418

NEMA
6 - 20R
250 VAC / 20 AMP
RECEPTACLE



Authorized Dealer

KITCHEN EQUIPMENT

SPIRAL MIXERS WITH FIXED BOWLS



FEATURES

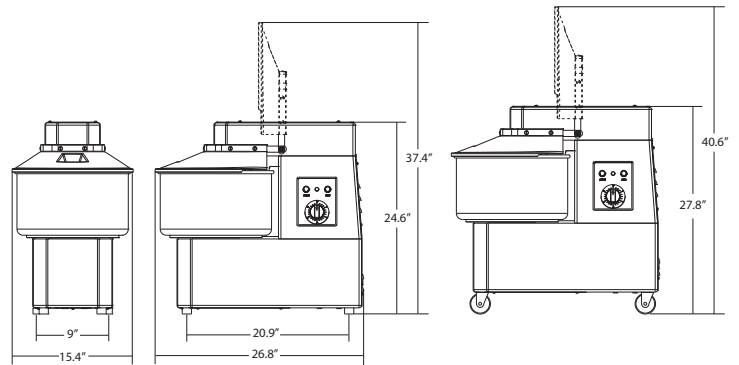
- Made from large thickness C40 steel
- Scratch resistant powder coating
- The bowl is made with reinforced edge and AISI 304 stainless steel shaft
- Froged spiral tool
- Lid with opening to add ingredients during operation
- High efficiency ventilated motor with oil-bath gear box
- Thermal overload protection circuit breaker



21L Spiral Mixer with Fixed Bowl

21L Spiral Mixer with Fixed Bowl and Timer

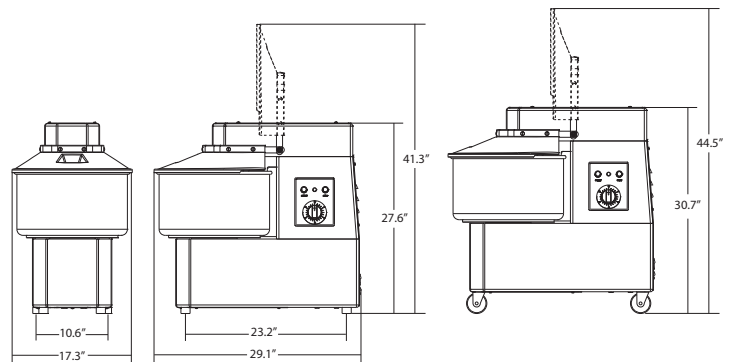
Item	45417	47417
Model	MX-IT-0020-F	MX-IT-0020-FT
Power	750 W / 1 HP	750 W / 1 HP
Electrical	120V / 60Hz / 1Ph	120V / 60Hz / 1Ph
RPM (Bowl/Spiral)	10 / 85	10 / 85
Bowl Dimensions	Ø 14.2" x 8.3"	Ø 14.2" x 8.3"
Net Weight	153.7 lbs / 69.7 kg	153.7 lbs / 69.7 kg
Gross Weight	179 lbs / 81.2 kg	179 lbs / 81.2 kg
Dimensions (DWH)	26.8" x 15.4" x 24.6" (Open Lid: 37.4")	26.8" x 15.4" x 24.6" (Open Lid: 37.4")
Gross Dimensions	22.8" x 32.7" x 39.4"	22.8" x 32.7" x 39.4"



32L Spiral Mixer with Fixed Bowl

32L Spiral Mixer with Fixed Bowl and Timer

Item	45418	47418
Model	MX-IT-0030-F	MX-IT-0030-FT
Power	1100 W / 1.5 HP	1100 W / 1.5 HP
Electrical	220V / 60Hz / 1Ph	220V / 60Hz / 1Ph
RPM (Bowl/Spiral)	10 / 85	10 / 85
Bowl Dimensions	Ø 15.7" x 10.2"	Ø 15.7" x 10.2"
Net Weight	210.3 lbs / 95.4 kg	210.3 lbs / 95.4 kg
Gross Weight	235.7 lbs / 106.9 kg	235.7 lbs / 106.9 kg
Dimensions (DWH)	29.1" x 17.3" x 27.6" (Open Lid: 41.3")	29.1" x 17.3" x 27.6" (Open Lid: 41.3")
Gross Dimensions	22.8" x 32.7" x 39.4"	22.8" x 32.7" x 39.4"



OMCAN INC.

Telephone: 1-800-465-0234
 Fax: (905) 607-0234
 Email: sales@omcan.com
 Website: www.omcan.com



Follow us to keep up to date with the latest news and offers



2017E&OE