



# KITCHEN EQUIPMENT

SERVING THE FOOD INDUSTRY SINCE 1951

## BAKING MIXER 7 QT. CAPACITY

Item: 44475

Model: MX-CN-0007-HG

### Tackle your tough mixing jobs with efficient speed!



The Omcan baking mixture provides the perfect blend of reliability and efficiency. These units are excellent for baking and an essential staple in your commercial kitchen. This 7 - quart mixer is a perfect addition for your bakery or shop.



NEMA  
5 - 15  
125 VAC / 15 AMP



Authorized Dealer

# KITCHEN EQUIPMENT

BAKING MIXER

7 QT. Capacity

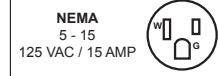
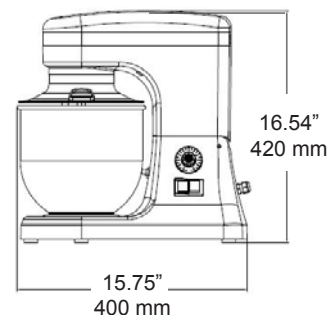


## Features:

- Aluminum body in 44475 grey includes a 304 stainless steel whisk with aluminum hook and beater
- The 0.36 HP motor delivers plenty of power, making it perfect for your kitchen
- Dishwasher safe for tough stains and residue
- This mixer requires a 110 V electrical connection and comes ready to use with a durable power chord
- Mixer comes with a non-skid rubber base for product stability

## TECHNICAL SPECIFICATION

ITEM NUMBER	44475
MODEL	MX-CN-0007-HG
COLOR	Gray
POWER	0.36 HP / 270 W
VARIABLE SPEED	Comes with a variable speed control
SHAFT RPM	145 -920 RPM
CAPACITY	7QT
TIMER	No Timer
GUARD	Polycarbonate
ELECTRICAL	110 V / 60Hz / 1Ph
DIMENSIONS (DWH)	15.75" x 9.06" x 16.54" / 400 x 230 x 420 mm
NET WEIGHT	33.08 lbs / 15 kg
GROSS WEIGHT	37.49 lbs / 17 kg



## OMCAN INC.

Telephone: 1-800-465-0234

Fax: (905) 607-0234

Email: sales@omcan.com

Website: www.omcan.com



Follow us to keep up to date with the latest news and offers



2017E&OE