



COOKING EQUIPMENT

SERVING THE FOOD INDUSTRY SINCE 1951

24-INCH STAINLESS STEEL PIZZA OVEN

Item: 44308 CE-CN-0016



WARRANTY
PARTS AND LABOR



NEMA
5 - 20P
125VAC / 20 AMP



Authorized Dealer

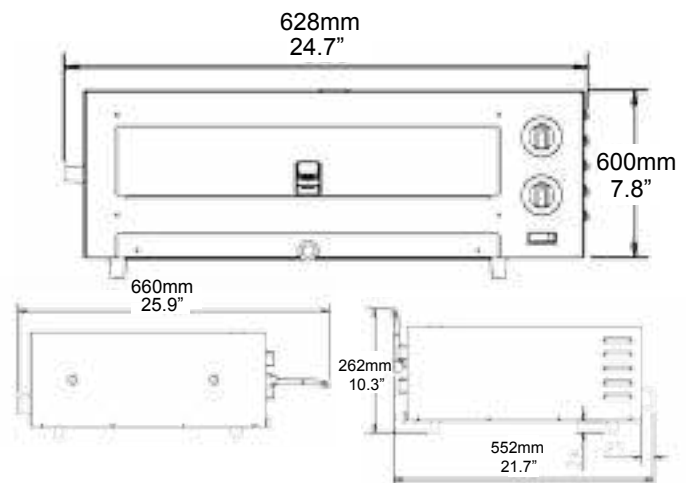


Features:

- Full insulated double wall body
- All stainless steel construction
- Fits a maximum 16-inch pizza
- Fast cooking within 30 minutes ready bell
- Top/bottom heating with stainless steel heating elements
- Rechargeable multi-protection thermostat
- Power and ready indication lights

TECHNICAL SPECIFICATION

ITEM NUMBER	44308
MODEL	CE-CN-0016
TEMPERATURE RANGE	65°C - 299°C / 150°F-570°F
TIMER	30 Minutes
POWER	1700 W
PIZZA DIAMETER	16"
ELECTRICAL	120V / 60Hz / 1Ph
WIRE RACK DIMENSIONS	17.1" x 18.3" x / 435 x 465mm
DIMENSIONS (WDH)	24.7" x 21.7" x 10.3" / 628 x 552 x 262mm
GROSS DIMENSIONS	27" x 23.6" x 11.4" / 690 x 600 x 290
NET WEIGHT	11.16kg
WEIGHT	24.6 lbs. / 11.16 kg.



OMCAN INC.

Telephone: 1-800-465-0234

Fax: (905) 607-0234

Email: sales@omcan.com

Website: www.omcan.com



Follow us to keep up to date with the latest news and offers

