



JUICE EXTRACTORS

SERVING THE FOOD INDUSTRY SINCE 1951



SANTOS CLASSIC JUICER

Item: 44025 / Model: Santos 11C

The real commercial juicer, built to last, with a heavy duty and quiet asynchronous motor, for use everywhere you need a fresh squeezed citrus juice: juice bars, health food stores, hotels, bars, restaurants, cafeterias, ice cream shops, institutions, hospitals and even...at home.



CITRUS BEVERAGE
QUICK & EASY!

Available only in Canada



WARRANTY
PARTS AND LABOR



Authorized Dealer

Actual product may not be exactly as shown

JUICE EXTRACTORS

SANTOS CLASSIC JUICER



TECHNICAL SPECIFICATIONS

ITEM	44025
MODEL	Santos 11C
DESCRIPTION	Classic Santos citrus juicer
ELECTRICAL	100-120V/60Hz/1Ph
POWER	155w/ 0.2Hp
AMP	1.4
RPM	1800
PRODUCTION (PER HOUR)	30-L / 8-Gal per hour
DIMENSIONS	9" x 12" x 14" / 230 x 300 x 350 mm
GROSS DIMENSIONS	10" x 13" x 16" / 255 x 340 x 400 mm
WEIGHT	11 lbs./ 5 kg
PACKAGING WEIGHT	12 lbs./ 5.6 kg

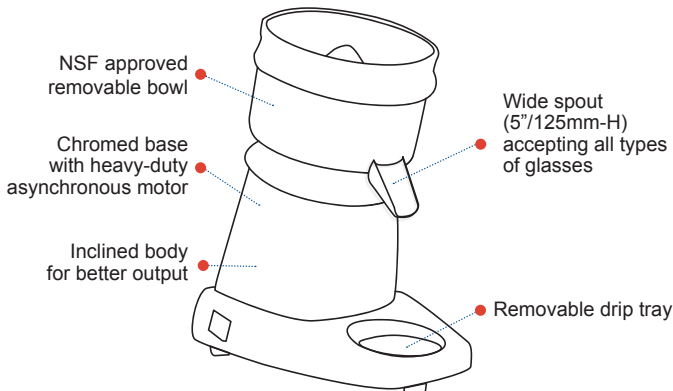
EASY To Clean



The unique juicer that you can clean quickly and easily. All the parts which are in contact with the fruits are easily removable (NSF approved).

1. 3 removable squeezers
2. Metallic ring
3. Grid
4. Plastic bowl

PARTS And SPECIFICATIONS



SAFETY And HYGIENE

Thermal safety

Motor protected by thermal detector and overload protector.

Electrical safety

- On/Off interlock switch is waterproof
- All mechanical parts are ground (earth) connected
- All equipment is 100% tested at the end of assembly

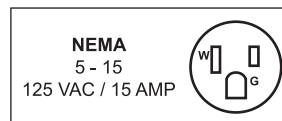
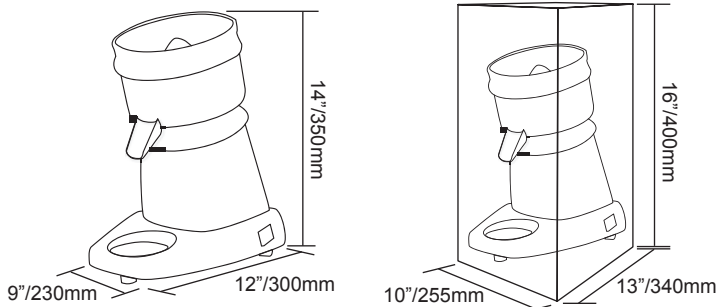
Acoustic safety

The asynchronous motor with direct drive is particularly silent

Hygiene

All removable parts can be put in a dishwasher or easily cleaned with hot soapy water (NSF approved)

DIMENSIONS



Available only in Canada



OMCAN INC.

Telephone: 1-800-465-0234
 Fax: (905) 607-0234
 Email: sales@omcan.com
 Website: www.omcan.com



Follow us to keep up to date with the latest news and offers

