



# FOOD WARMERS

SERVING THE FOOD INDUSTRY SINCE 1951

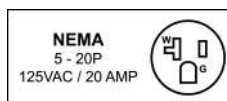
## 18" PIZZA DISPLAY WARMER

Item: 41468

Model: DW-CN-0457SS



Generate more impulse food sales with our Omcan Elite Series Pizza Display Warmer. This unit designed to keep pizza warm and fresh as possible for your customers. This pizza display warmer is designed to merchandise product with even temperature and humidity. This revolving display warmer is designed to accommodate four 18-inch pizzas at a time. It features tempered glass panels and digital controls for temperatures and humidity. Excellent for fast-food restaurants, convenience stores, and supermarkets.



Authorized Dealer

# FOOD WARMERS

## 18" DISPLAY WARMER



### FEATURES:

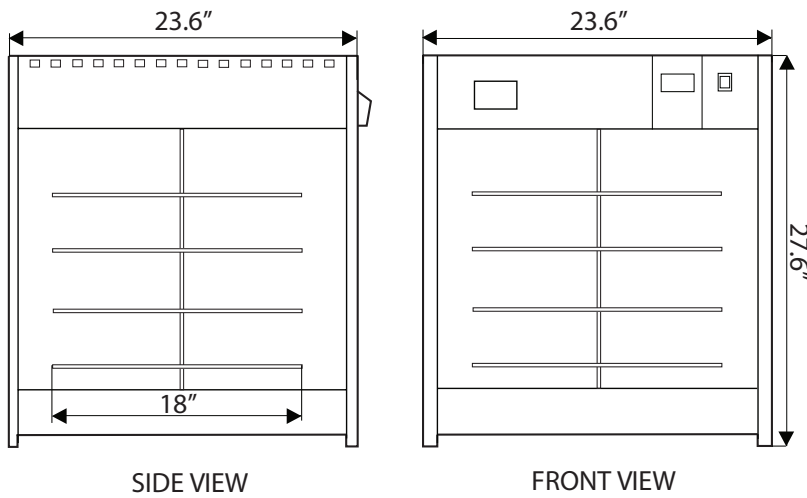
- Water reservoir for humidity control and keeps your food looking hot and delicious
- Eye-catching hot and fresh pizza display
- Four rotating shelves that can hold 18" pizzas
- Adjustable temperature controller
- Temperature display that ranges from 30-90°C

### Optional Accessory (Sold Separately)

Item: 44070 Pretzel Rotary Shelf (star-shaped)



### TECHNICAL DRAWING AND DIMENSIONS



### TECHNICAL SPECIFICATION

ITEM	41468
MODEL	DW-CN-0457SS
POWER	1500W
TEMPERATURE	30-90 °C / 86-194 °F
INTERIOR LIGHTS	11w
MAXIMUM PIZZA SIZE	18" / 457mm
ELECTRICAL	110V / 60Hz / 1Ph
WEIGHT	32 kg. / 70.5 lbs.
GROSS WEIGHT	35 kg. / 77 lbs.
DIMENSIONS (DWH)	23.6" x 23.6" x 27.6" / 599 x 599 x 701mm
GROSS DIMENSIONS	27" x 28" x 29.5" / 685.8 x 711 x 749mm

## OMCAN INC.

Telephone: 1-800-465-0234  
 Fax: (905) 607-0234  
 E-mail: sales@omcan.com  
 Website: www.omcan.com



Follow us to keep up to date with the latest news and offers

