



FOOD EQUIPMENT

SERVING THE FOOD INDUSTRY SINCE 1951

NO. 32 STAINLESS STEEL MEAT GRINDER

Item #: 39714

Model: MG-IT-0032-C

The MG-IT-0032-C heavy-duty meat grinder/ mincer offers a great value with a proven record of dependability and performance. This electrical meat mincer is entirely made of high quality stainless steel, equipped with a safety micro switch, larger tray, hand protection and features high performance 1/4" plate and European-style knife. Ideal for any restaurant, deli or small butcher shop.



Authorized Dealer



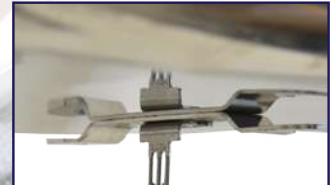
Ventilated motor with thermal protection



Structured in AISI 304 stainless steel



Features a large hopper with hand protection and ABS plastic pusher



Equipped with safety microswitch



1/4" (6mm) plate included

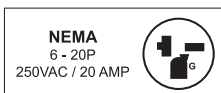
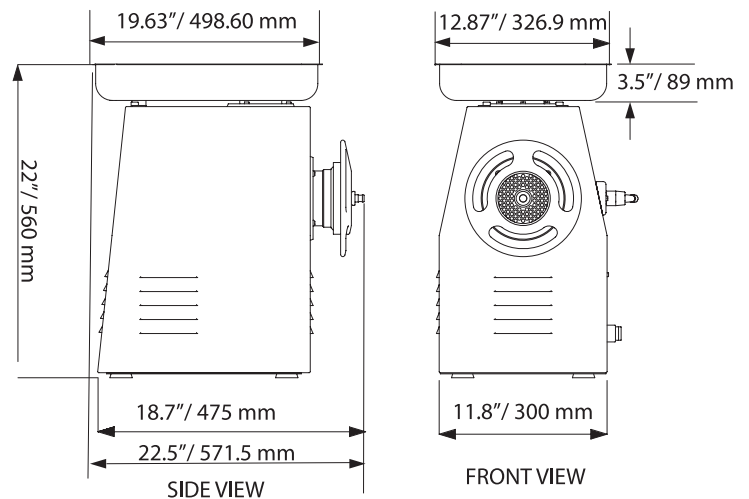


ON/OFF Switch with waterproof rubber protection

TECHNICAL SPECIFICATION

ITEM NUMBER	39714
MODEL	MG-IT-0032-C
POWER	3 HP. 2.2 kW
PRODUCTION/ HR	600 kg/ 1320 lbs.
ELECTRICAL	220V/ 60 Hz / 1 Ph
AMPS	16.6 A
THROAT OPENING	2.75" / 69.85 mm
DIMENSIONS (DWH)	22.5" X 11.8" X 22" / 571.5 x 300 x 560 mm
PACKAGING DIMENSIONS	24.4" x 16.9" x 25.6" / 620 X 430 X 650 mm
NET WEIGHT	52 kg. / 114 lbs.
GROSS WEIGHT	55 kg / 121 lbs.

TECHNICAL DRAWING AND DIMENSIONS



OMCAN INC.

Telephone: 1-800-465-0234

Fax: (905) 607-0234

E-mail: sales@omcan.com

Website: www.omcan.com



Follow us to keep up to date with the latest news and offers

