



SERVING THE FOOD INDUSTRY SINCE 1951

Heavy Duty Meat Mixers

ITEM:	37459	13159
MODEL:	MM-IT-0030	MM-IT-0050



Seasoning large volume of meat has never been easier!

These meat mixers are designed to effortlessly season ground meat thoroughly and consistently in a shorter amount of time. It provides the best solution for butcher shops, supermarkets, and meat processing industries.

FEATURES:

- Manufactured from AISI 304 stainless steel
- Transparent tank cover
- The tank can be turned 90 for easy emptying
- Push button for temporary reverse rotation
- Shipped on Pallet



Telephone: 1-800-465-0234

Fax: (905) 607-0234

Email: sales@omcan.com

Website: www.omcan.com



Authorized Dealer



FOR 37459

NEMA
6 - 15P
250VAC / 15 AMP



FOR 13159

NEMA
5 - 15P
125VAC / 15 AMP



FEATURES



Overturn device of the tank for an easy and fast emptying

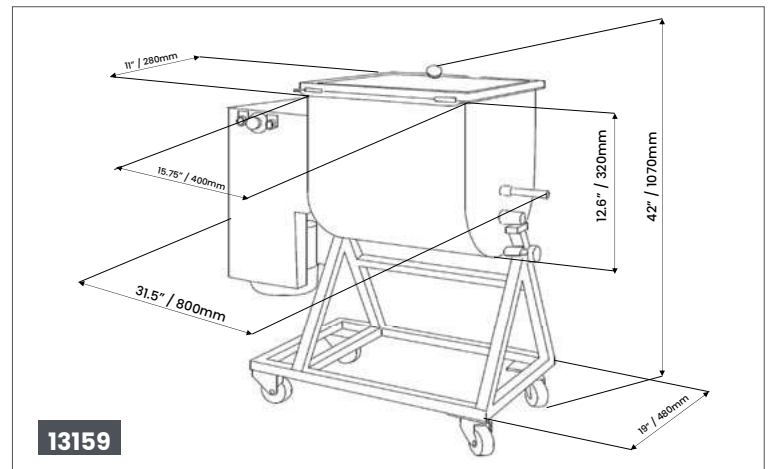
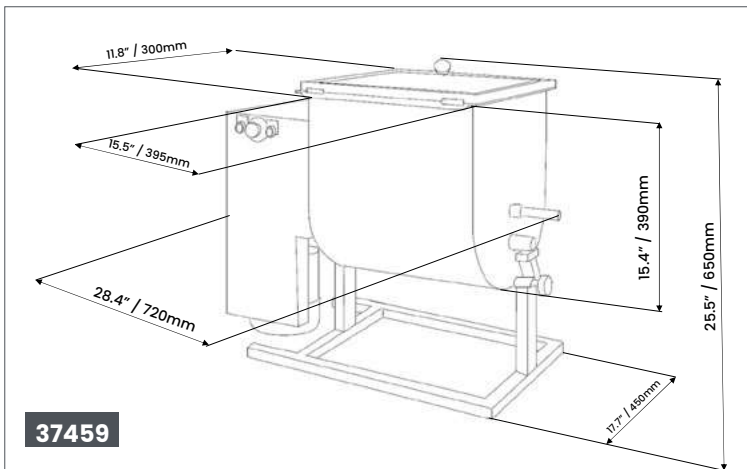


With Emergency switch and safety microswitch



Easily removable mixing shaft with bent shovels and dough-breaking wings

TECHNICAL DRAWING



TECHNICAL SPECIFICATION

Item	37459	13159
Model	MM-IT-0030	MM-IT-0050
Working Capacity	66 lb. / 30 kg.	110 lb. / 50 kg.
Tank Volume	42.25 QT / 40 L	77 QT / 73 L
Number of Caster	-	4
Power	1 HP / 750 W	1.5 HP / 1,120 W
Amps	6.8 A	9.7 A
Electrical	110V / 60Hz / 1Ph	220V / 60Hz / 1Ph
Net Weight	88 lb. / 40 kg.	165 lb. / 75 kg.
Net Dimensions (WDH)	28.4" x 17.7" x 25.5" / 720 x 450 x 650 mm	31.5" x 19" x 42" / 800 x 480 x 1070 mm
Gross Weight	108 lb. / 49 kg.	185 lb. / 84 kg.
Gross Dimensions	31" x 24" x 30.5" / 787 x 610 x 775 mm	47" x 31.75" x 42" / 1194 x 806 x 1069 mm
Plug Type	NEMA 6-15P	NEMA 5-15P