



# KITCHEN EQUIPMENT

SERVING THE FOOD INDUSTRY SINCE 1951

## No. 12 ECONOMICAL STAINLESS STEEL MEAT GRINDER

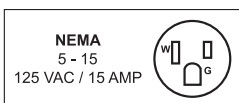
ITEM: 23580 MODEL: MG-CN-0012-S

### *MINCE DIFFERENT TYPES OF MEAT QUICKLY AND EFFICIENTLY*

Ideal for home use, as well as small butcher shops and delis. Stainless steel construction. Comes with 3 spouts (15mm, 20mm, 23mm), and 2 machine plates (6mm, 8mm). Comes with a maximum horsepower of 0.87 HP and a nominal power of 0.40 HP.



**WARRANTY**  
PARTS AND LABOR



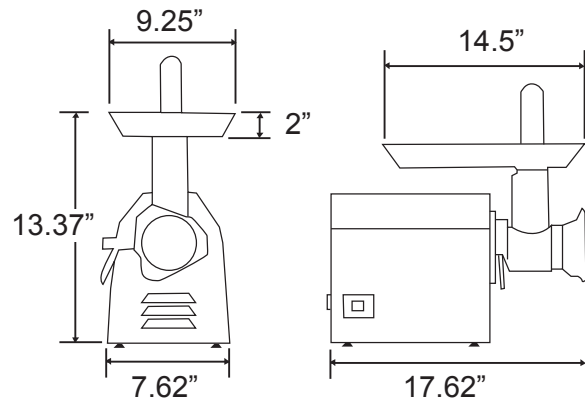
Authorized Dealer



### Features:

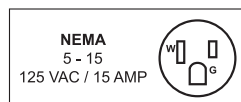
- Ideal for butcher shops and delis
- Constructed of stainless steel body, housing, and head
- 3 spouts (15mm, 20mm and 23mm)
- 2 machine plates (6mm and 8mm)

### TECHNICAL DRAWING AND DIMENSIONS



### TECHNICAL SPECIFICATIONS

ITEM NUMBER	23580
MODEL	MG-CN-0012-S
POWER	0.87 HP / 0.65 kW
THROAT OPENING	Approximately 2" / 50.8 mm
CAPACITY	260 lbs. /hr.
ELECTRICAL	110V / 60Hz / 1Ph
WEIGHT	59 lbs. / 26.7 kg.
PACKAGING WEIGHT	64 lbs. / 29 kg.
DIMENSIONS (DWH)	17.62" x 7.62" x 13.37" / 447.54 x 193.54 x 339.59 mm
PACKAGING DIMENSIONS	19" x 13" x 17" / 482.6 x 330.2 x 431.8 mm



## OMCAN INC.

Telephone: 1-800-465-0234  
 Fax: (905) 607-0234  
 Email: sales@omcan.com  
 Website: www.omcan.com



Follow us to keep up to date with the latest news and offers

