



FOOD EQUIPMENT

SERVING THE FOOD INDUSTRY SINCE 1951

FLOOR MODEL BAND SAW

Item: 20236 / 20237

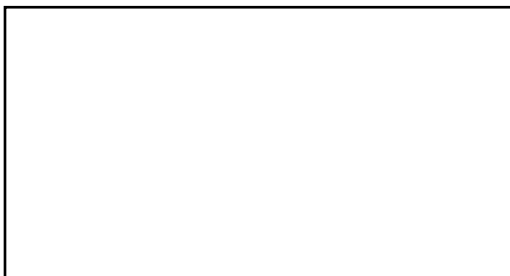
Model: BS-BR-3150-SS / BS-BR-2820-SS



20237




20236



Authorized Dealer

update: August 25, 2021

NEMA
6 - 20
250 VAC / 20 AMP
RECEPTACLE




WARRANTY
PARTS AND LABOR



ETL LISTED




3146459
CONFORMS TO UL STD 763; NSF STD 8
CERTIFIED TO CSA C22.2 STD No. 195

FOOD EQUIPMENT

FLOOR MODEL BAND SAW

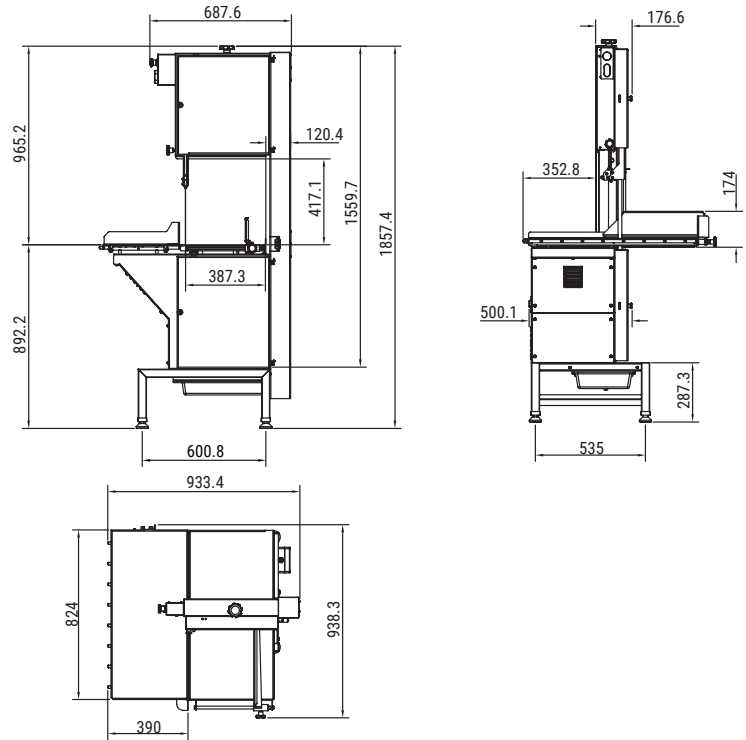


TECHNICAL SPECIFICATIONS

ITEM NUMBER	20236
MODEL NUMBER	BS-BR-3150-SS
DESCRIPTION	FLOOR MODEL
CONSUMPTION	2.2 kW.h
BLADE LENGTH	124"
CUTTING CAPACITY (HXW)	14 1/8" x 12 1/4"
VOLTAGE	230 V
FREQUENCY	60 Hz
PHASE	SINGLE PHASE
POWER RATING	3 HP
HEIGHT	72 7/8"
WIDTH	42 1/8"
DEPTH	36 1/4"
NET WEIGHT	264.00 lb

PACKAGING DIMENSIONS

HEIGHT	81.89"
WIDTH	47.64"
DEPTH	49.21"
GROSS WEIGHT	407.00 lb
BLADES	One placed in the machine + extra blade

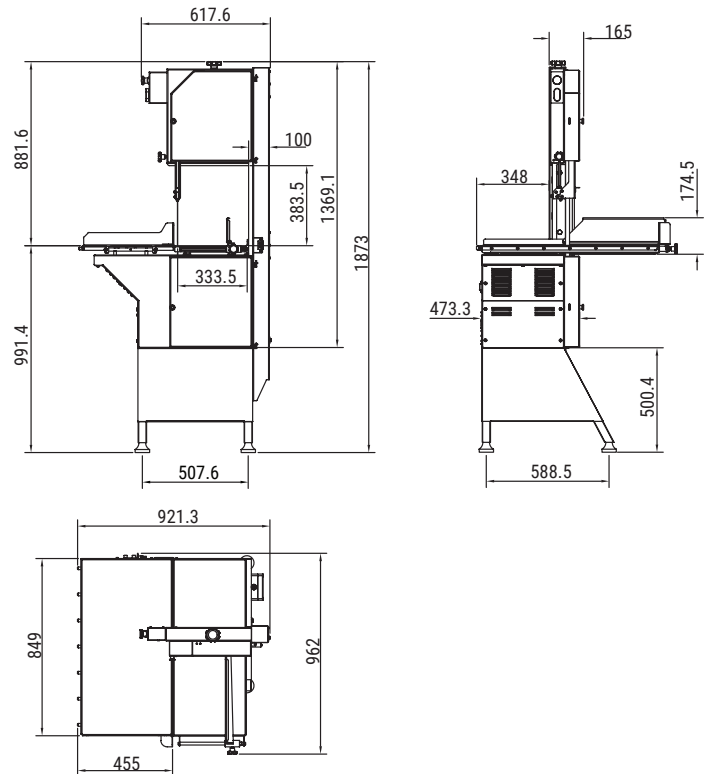


TECHNICAL SPECIFICATIONS

ITEM NUMBER	20237
MODEL NUMBER	BS-BR-2820-SS
DESCRIPTION	FLOOR MODEL
CONSUMPTION	1.47 kW.h
BLADE LENGTH	111"
CUTTING CAPACITY (HXW)	12 3/4" x 10"
VOLTAGE	230 V
FREQUENCY	60 Hz
PHASE	SINGLE PHASE
POWER RATING	2 HP
HEIGHT	73 5/8"
WIDTH	36 1/4"
DEPTH	38 5/8"
NET WEIGHT	240.00 lb

PACKAGING DIMENSIONS

HEIGHT	81.89"
WIDTH	43.7"
DEPTH	44.88"
GROSS WEIGHT	339.00 lb
BLADES	One placed in the machine + extra blade



update: August 25, 2021

OMCAN INC.

Telephone: 1-800-465-0234

Fax: (905) 607-0234

E-mail: sales@omcan.com

Website: www.omcan.com



Follow us to keep up to date with the latest news and offers



2017E&OE