



# FOOD EQUIPMENT

SERVING THE FOOD INDUSTRY SINCE 1951

## PIZZA MOULDER WITH 15.75" MAX ROLLER WIDTH

Item: 13177

Model: BE-IT-0406

This commercial automatic electric pizza moulder saves time in pizza and bread dough rolling. The dough is not heated in the process and its characteristics are not affected. Thickness and diameter can easily be adjusted.



Authorized Dealer

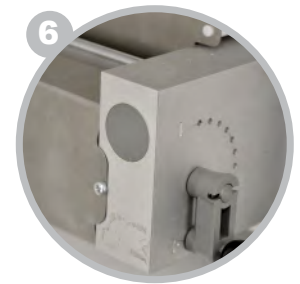
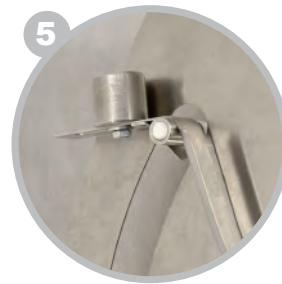


# FOOD EQUIPMENT

## PIZZA MOULDER WITH 15.75" MAX ROLLER WIDTH

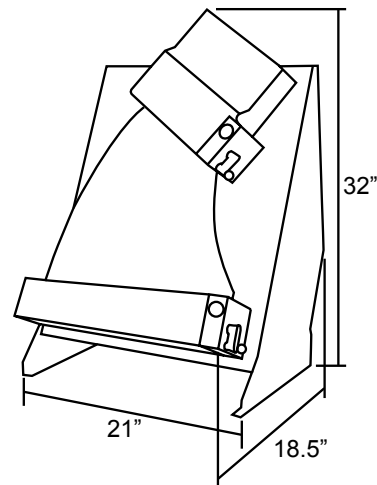


- Featuring a metallic body with 2 sets of rollers
- Quicker and more efficient dough rolling experience



### TECHNICAL SPECIFICATION

ITEM NUMBER	13177
MODEL	BE-IT-0406
POWER	0.5 HP / 0.37 kW
DOUGH WEIGHT	210 - 600 gr
PIZZA DIAMETER	10.2"-15.7" / 260 - 400 mm
ELECTRICAL	110 V/60Hz/1Ph
DIMENSIONS (DWH)	18.5" x 21" x 32" / 470 x 533 x 812.8 mm
PACKAGING DIMENSIONS	31" x 24" x 23" / 787 x 609.6 x 584 mm
PACKAGING WEIGHT	79 lbs / 35.8 kg



NEMA 5-15  
125 VAC / 15 AMP

## OMCAN INC.

Telephone: 1-800-465-0234  
 Fax: (905) 607-0234  
 Email: sales@omcan.com  
 Website: www.omcan.com



Follow us to keep up to date with the latest news and offers

