



FOOD EQUIPMENT

SERVING THE FOOD INDUSTRY SINCE 1951

ELITE TOP-DOWN PRESS PATTY MAKER WITH 4" DIAMETER

Item: 11426

► CREATE FRESHLY-PRESSED PATTIES FAST AND EASY!

Ideal for fast food establishments, restaurants, or any fast-paced kitchen, Omcan's Elite top-down press patty maker will help you create perfect, uniform patties whether they are beef, chicken, turkey, or veggie. Anodized aluminium construction and food contact areas are made of stainless steel. Easy to disassemble and quick to clean.



WARRANTY



Authorized Dealer

FOOD EQUIPMENT

ELITE PATTY MAKER WITH 4" DIAMETER | ITEM 11426



PRODUCT FEATURES

- Hamburger press is of anodized aluminium construction and food contact areas are made of stainless steel
- Upward push of the hamburger to make the extraction easier
- Simple to operate and easy to clean
- Easy to disassemble
- Cellophane papers available separately



TOP VIEW OF 11426

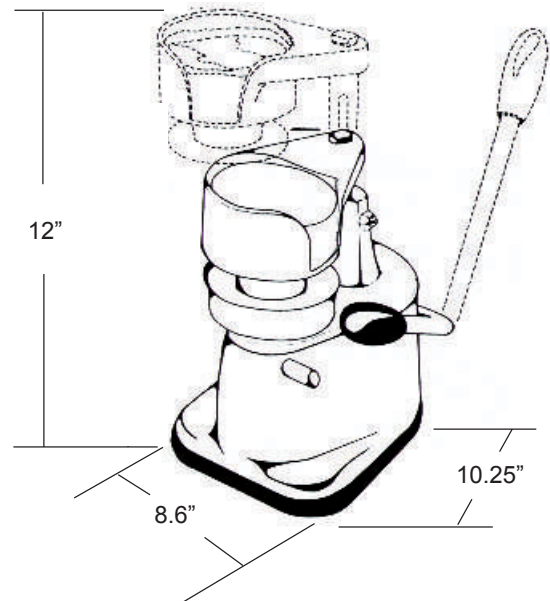
► Hamburger Press Paper for 11426 (Item sold separately)

11427 | Hamburger Press Paper
Approximately 1890 sheets for 11426

TECHNICAL SPECIFICATIONS

ITEM NUMBER	11426
TYPE	4" (101.6mm) Diameter
CAPACITY	6.75 oz max
WEIGHT	10 lbs. / 4.55 kg.
PACKAGING WEIGHT	11 lbs. / 5.00 kg.
DIMENSIONS (DWH)	10.25" x 8.6" x 11" 260.35 x 218.44 x 279.4 mm
PACKAGING DIMENSIONS	11" x 10" x 13" 279.4 x 254 x 330.2 mm

TECHNICAL DRAWING AND DIMENSIONS



WARRANTY



OMCAN INC.

Telephone: 1-800-465-0234
Fax: (905) 607-0234
Email: sales@omcan.com
Website: www.omcan.com



Follow us to keep up to date with the latest news and offers



2016.E.O.E